

4

3

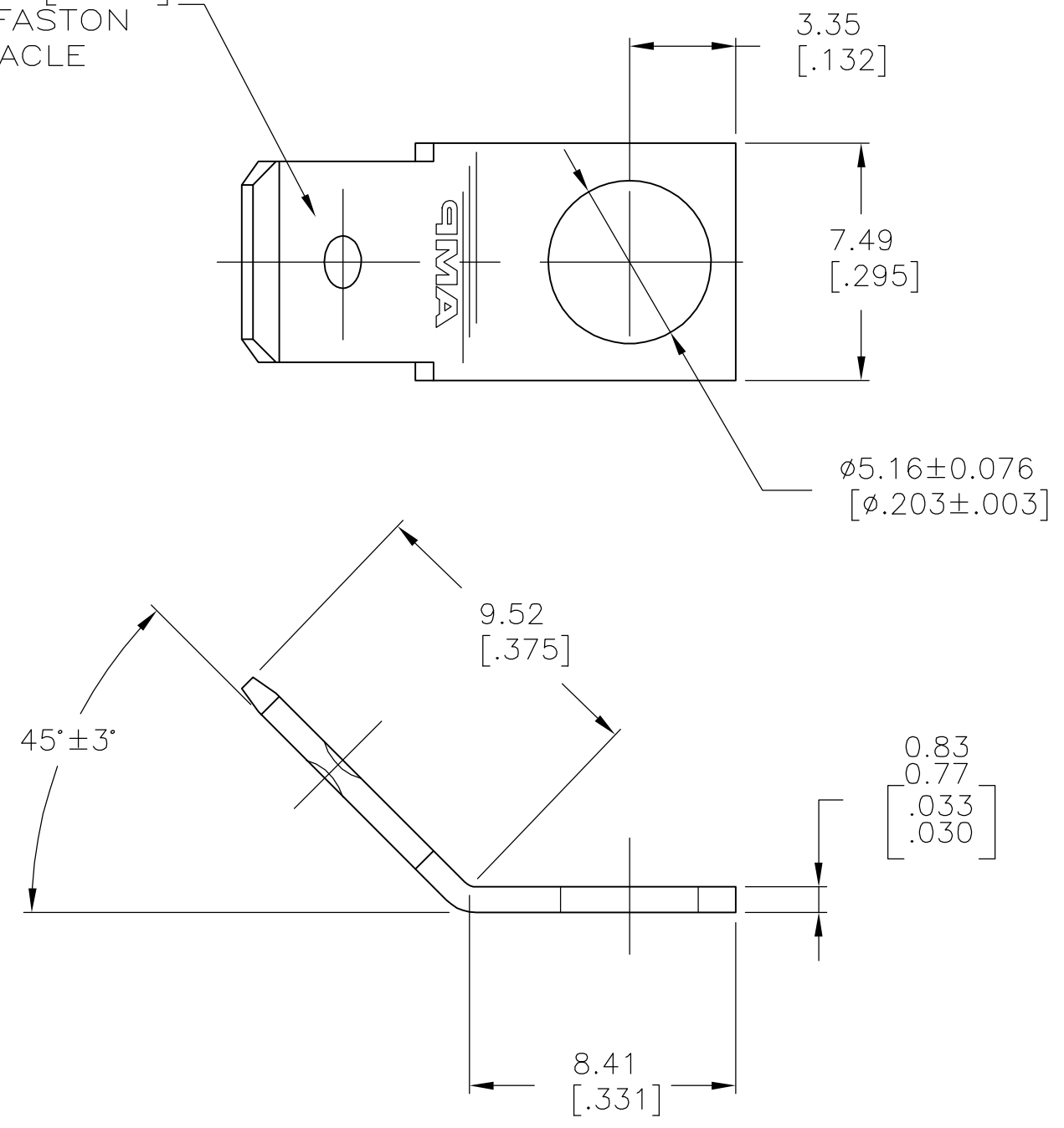
2

1

THIS DRAWING IS UNPUBLISHED. RELEASED FOR PUBLICATION
 © COPYRIGHT BY TYCO ELECTRONICS CORPORATION. ALL RIGHTS RESERVED.

| LOC | DIST | REVISIONS | | | | | |
|-----|------|-----------|-----|-----------------------|---------|-----|------|
| | | P | LTR | DESCRIPTION | DATE | DWN | APVD |
| AF | 50 | | C | REV PER ECR-05-017287 | 23MAR06 | HMR | JR |

FITS 6.35 [.250]
 SERIES FASTON
 RECEPTACLE



- 1 SUPPLIED IN LOOSE PIECE.
- △ 2 PRE-PRODUCTION — F.A.S.R. REQUIRED

| | |
|-----------------------------|---------------|
| TIN 0.002032 [.000080] MIN. | △ 2 1217252-1 |
| FINISH | PART NO. |

| | | | | | | | |
|---|--|------------------|----------|------------------------------------|---|-----------|---------------|
| THIS DRAWING IS A CONTROLLED DOCUMENT. | | DWN | JR RUTH | 26OCT99 | Tyco Electronics Corporation Harrisburg, PA 17105-3608 | | |
| DIMENSIONS: mm [INCHES] | | CHK | MS FEHER | 26OCT99 | | | |
| TOLERANCES UNLESS OTHERWISE SPECIFIED: | | APVD | P DESANT | 26OCT99 | TM | | |
| 0 PLC ± - 1 PLC ± - 2 PLC ± 0.25 [.010] 3 PLC ± - 4 PLC ± - ANGLES ± - | | PRODUCT SPEC | | TAB, FASTON, 6.35 [.250] SERIES | | | |
| MATERIAL | | APPLICATION SPEC | | SIZE | | | RESTRICTED TO |
| 082 BRASS | | FINISH | | CAGE CODE | | | — |
| SEE TABLE | | WEIGHT | | DRAWING NO | | | — |
| CUSTOMER DRAWING | | | | A3 00779 | | G-1217252 | |
| | | | | SCALE | | SHEET | |
| | | | | 5:1 | | 1 OF 1 | |
| | | | | | | REV | |
| | | | | | | C | |